

## VOC Series (Oval Curved)

### Features and Strengths

This cup is best suitable for handling long objects with flat or curved surfaces.

Specially, parallel to the surface of the object It has a thick and durable lip.



### Suitable for Handling

- Long Objects with Flat
- Curved Surfaces
- Shaped Sheet Metal Panels
- Automotive Bumper



### Order No.

## VOC 35x90 N - 38F

①

②

③

#### ① Suction cup Ø(mm)

VOC11x23	- Ø11x23
• VOC35x90	- Ø35x90
VOC35x110	- Ø35x110
VOC60x140	- Ø60x140
VOC60x180	- Ø60x180

#### ② Material

• N	- NBR
S	- Silicon
WS	- White Silicon
HS	- High Temp. Silicon
CS	- Conductive (Specil mat'l)
U	- Urethane
A	- Mark free

#### ③ Thread size

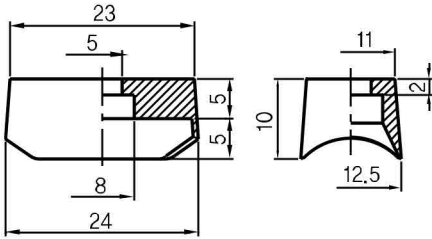
• 38F	- G3/8" female
	(VOC35X90, 35X110 VOC60X140, 60X180)

### Recommended (max.) lifting forces

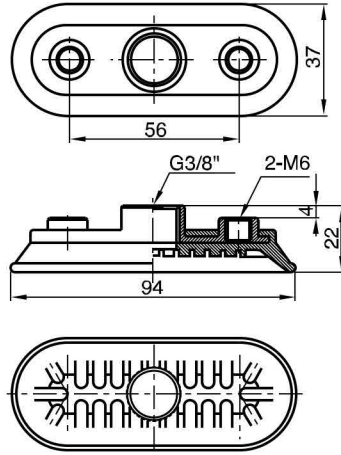
Model	Volume (cm <sup>3</sup> )	Lifting Force (kg) - Perpendicular			Lifting Force (kg) - Parallel		
		-20 kPa	-60 kPa	-90 kPa	-20 kPa	-60 kPa	-90 kPa
VOC 11 X 23	2,0	0,61	1,3	1,6	0,6	1,2	1,5
VOC 35 X 90	20	5	13,4	17,4	4	10,72	13,92
VOC 35 X 110	25	6,25	16,7	21,7	5	13,36	17,36
VOC 60 X 140	52	13,4	38,0	53,0	10,72	30,4	42,4
VOC 60 X 180	67	19,1	54,2	75,7	15,28	43,36	60,56

## Dimensional Information

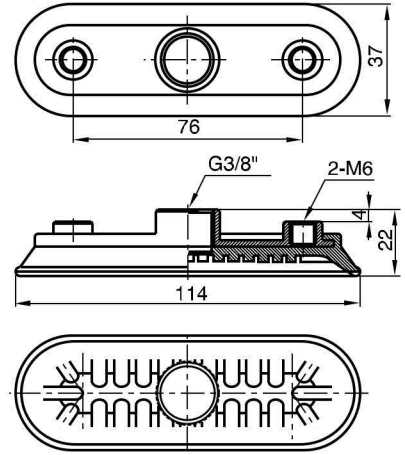
**VOC 11x23**



**VOC 35x90 - 38F**

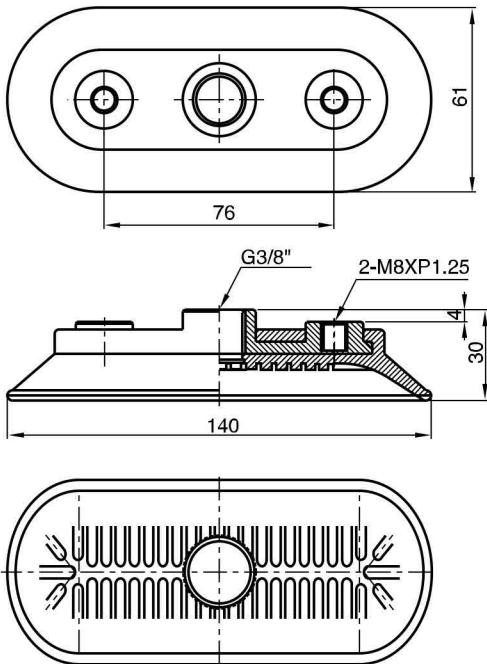


**VOC 35x110 - 38F**

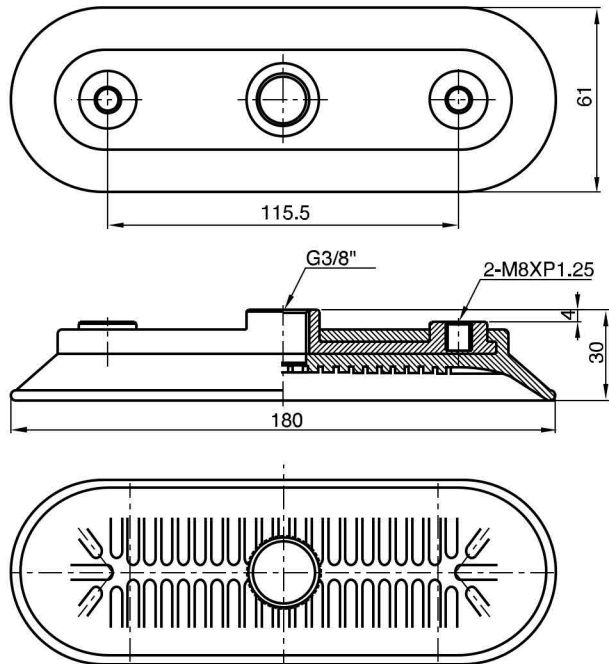


[ Measure unit : mm ]

**VOC 60x140 - 38F**



**VOC 60x180 - 38F**



[ Measure unit : mm ]

SUCTION  
CUPS